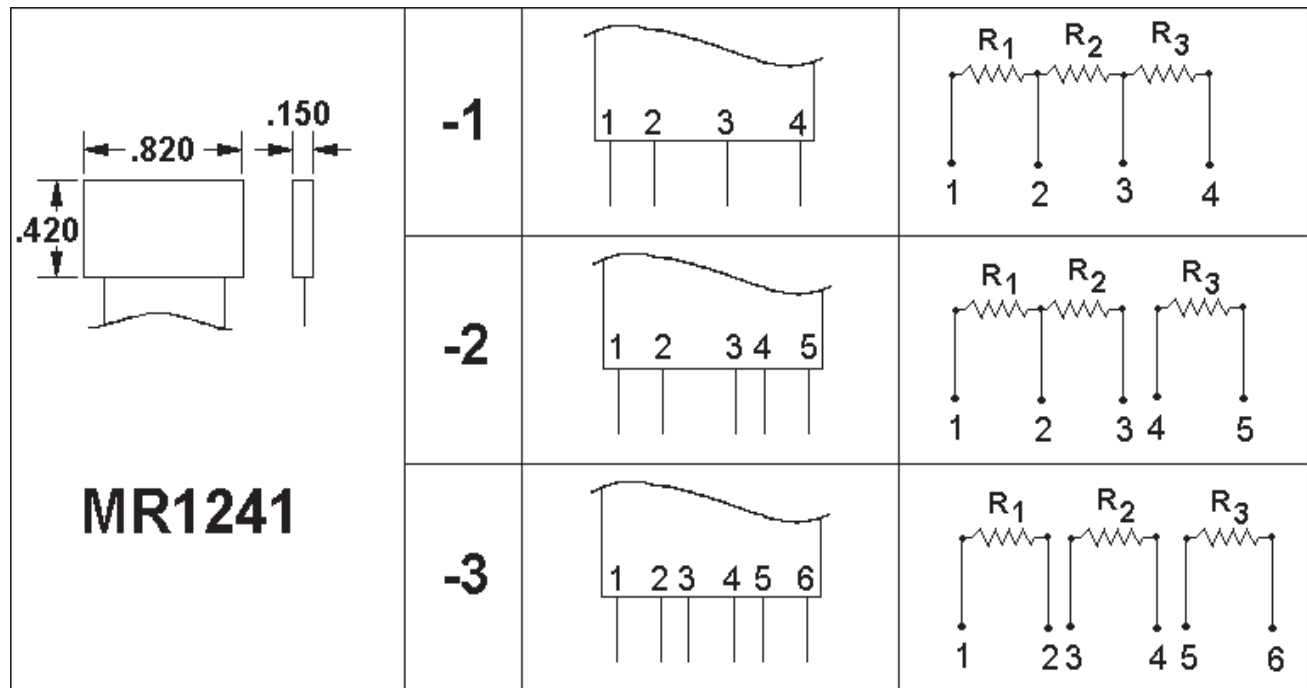
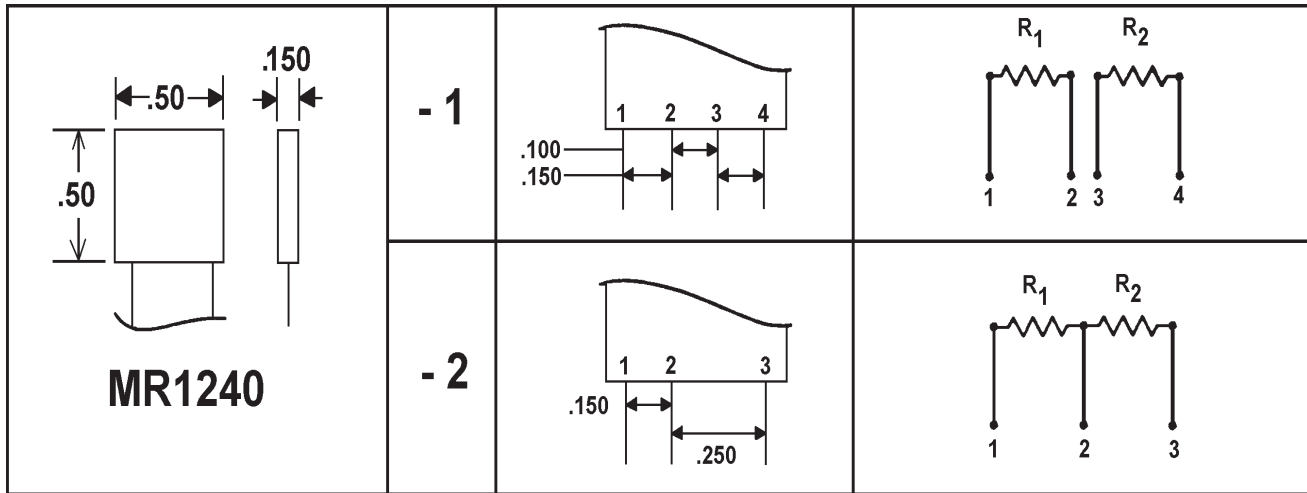


NETWORKS

A resistor network is an assembly of resistors related to each other for circuit advantage. They provide a convenient package for several resistors, and the unique mechanical package provides for easy assembly in a circuit with minimum chances of error. The arrangement of resistors is assured, and the number of connections is minimized. Several of our standard configurations are shown.



Electrical Specifications for the MR1240 and MR1241 Resistor Networks

Resistance as required:	Maximum resistance depends upon network configuration
Resistance Tolerance:	±0.5% standard, available to ±0.005%
Resistor Absolute TC:	±10ppm/°C standard, available to ±2ppm/°C
TC Matching available:	to 2 ppm/°C in most cases
Tolerance Match available:	to ±0.002% in most cases